



**Parts and Instruction Manual
X705 Air Operated U.L.P.A.
15 & 55 Gallon Vacuums**

Technical Specifications

MODEL	C87515-03	C87555-01
Tank Size	15 gal.	55 gal.
Tank Type	Stainless Steel	Painted
Wet Capacity	10 gal.	45 gal.
Dry Capacity	1.86 cu ft	7.16 cu ft
Filtration	.12 micron @99.999% efficiency	.12 micron @99.999% efficiency
Static Lift (Max)	180"	180"
Air Flow	166 CFM	166 CFM
Air Line Diameter	1/2" ID	1/2" ID
Max Airline Pressure	100 psi max	100 psi max
Input Air Requirement	42 CFM	42 CFM
Venturi	Single Jet	Single Jet
Hose Connection	Coupler	Coupler
Wheel Size Front	3"	5"
Wheel Size Rear	8"	5"
Weight	51 lbs	110 lbs

Table of Contents

TECHNICAL SPECIFICATIONS	2
OPERATING INSTRUCTIONS	4
INSPECTION.....	4
SPECIAL WARNING.....	4
AIR PRESSURE AND C.F.M. VOLUME REQUIRED	4
MAINTENANCE AND USAGE	4
OPERATION.....	4
ASSEMBLY INSTRUCTIONS	5
CLEANING AND EMPTYING INSTRUCTIONS	5
OVERVIEW	7
EXPLODED VIEWS	8
LID ASSEMBLY	8
15 GALLON TANK ASSEMBLY	10
55 GALLON TANK ADAPTER ASSEMBLY	12
55 GALLON TANK.....	14
55 GALLON DOLLY	15
NOTES	16
WARRANTY	18

**MODEL X705-15 AND X705-55 AIR OPERATED VACUUM. DRY RECOVERY ONLY.
EQUIPPED WITH U.L.P.A. FILTER 99.99 EFFICIENT AT 0.12 MICRONS**

OPERATING INSTRUCTIONS

INSPECTION

Carefully unpack and inspect your machine for shipping damage. Each unit is tested and thoroughly inspected before shipment, therefore, any damage is the responsibility of the delivering carrier who should be notified. Read all instructions carefully before operating.

SPECIAL WARNING

Air operated equipment can generate static electricity during use. Static dissipating arcing can be generated and occur if equipment and accessories are not grounded. Risk of explosion is possible if operated near explosive materials or vapors. Do not operate this equipment near flammable materials such as solvents, thinners, fuels, grain dust, etc.

AIR PRESSURE AND C.F.M. VOLUME REQUIRED

For maximum performance, operate with 1/2" air pressure line, 80 PSI (max, 100 PSI) and 37 input C.F.M. Air pressure control valve can be regulated to operate with lower pressure and C.F.M. when maximum is not required.

MAINTENANCE AND USAGE

Air supplied to vacuum must be clean and dry to avoid contamination, and to maintain optimum performance.

Empty tank, clean filter bag, and replace disposable filters regularly. Clogged filters restrict air flow , and results in reduced vacuum performance.

Always shut off main air supply, and open air valve at vacuum, to relieve pressure before disconnecting air pressure line.

OPERATION

Your Minuteman vacuum has been specifically designed to clean up fultra fine hazardous toxic dust materials. Special filters reduce the incidence of air-borne dust that would be created by any other method of cleaning.

During the cleanup of toxic dry materials do not sweep, scoop, shovel, or in any manner handle other than by vacuuming.

Do not at any time attempt to bypass, remove, substitute, or by any other means change the type of filters used in this vacuum. Use only approved Minuteman vacuum filters and filter bags.

Before attempting to use, and before cleaning, be certain that you fully understand the instructions given for the setting up and cleaning/changing of filters of this vacuum.

Since each facility has its own individual and unique cleaning problems, it is suggested that you use the following guidelines in determining the length of time between filter changes or cleaning the vacuum tank.

ASSEMBLY INSTRUCTIONS

1. Take the paper filter protector #4 and insert into tank. Snap the elastic band around the rim of the tank. Allow two inches to overlap the tank rim.
2. Place cloth filter bag assembly #3 into tank. Center frame of filter around tank rim.
3. Turn U.L.P.A. filter lid assembly #1 upside down on worktable. Center one pink impaction filter cartridge #2 onto U.L.P.A. filter.
4. Place vacuum lid assembly #1 onto tank #5, center and fasten lid latches.

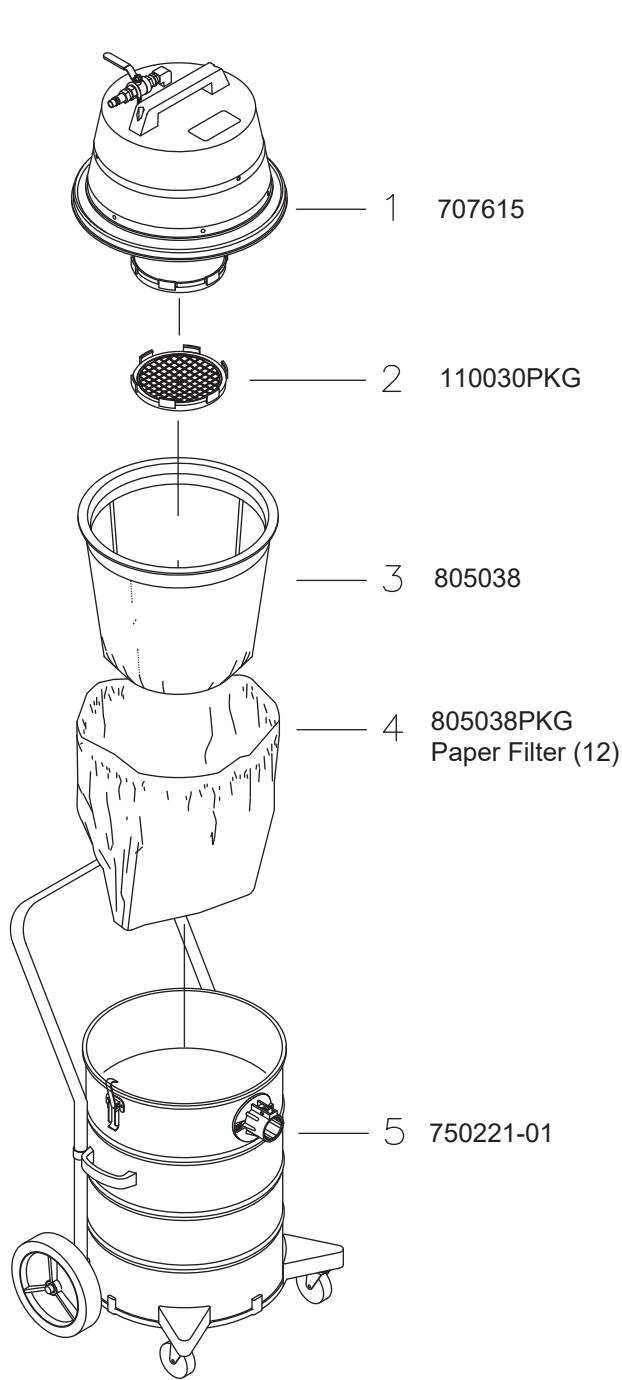
CLEANING AND EMPTYING INSTRUCTIONS

For the benefit of your health, you should always wear a face mask and protective clothing approved and recommended by your Safety Department for the particular hazardous waste material you are working with. Check with your Safety Department or Industrial Hygienist for their instructions before attempting to clean out vacuum.

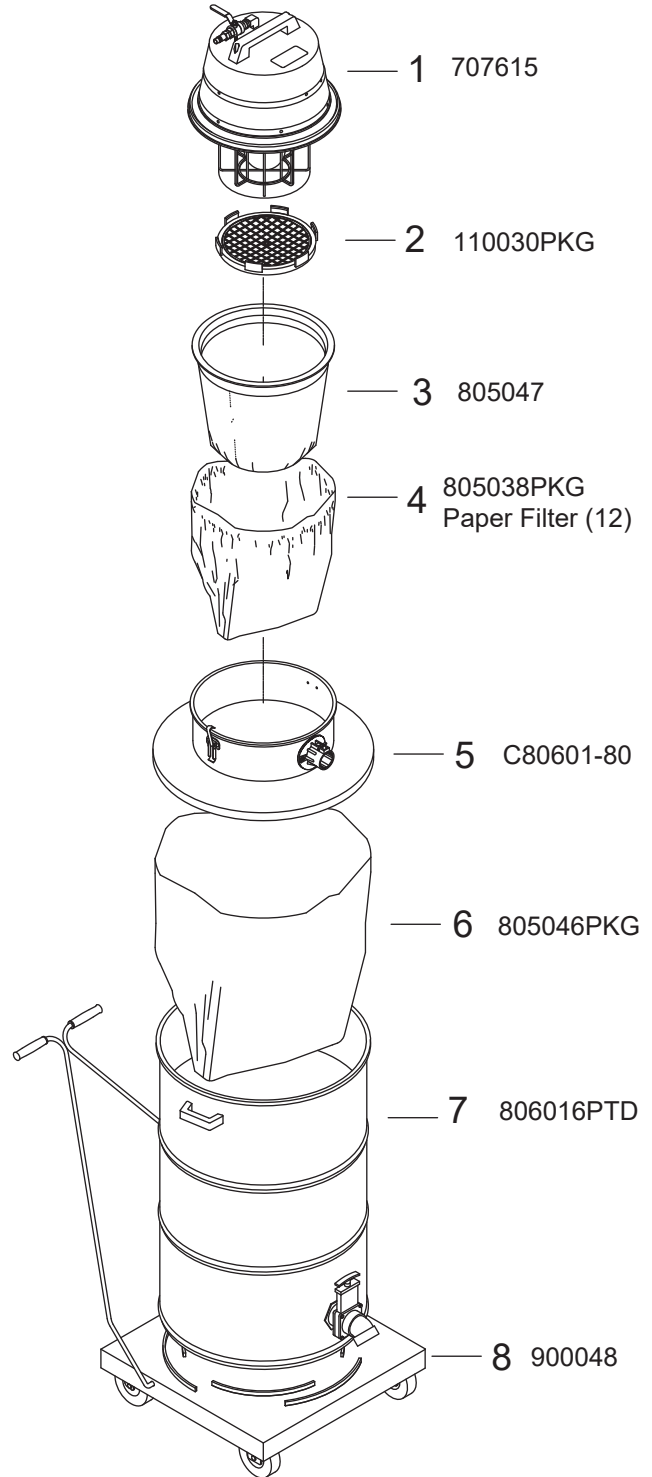
1. Shut off main air pressure valve feeding air to vacuum. Open air valve on vacuum lid to relieve pressure on line. If equipped with quick coupler, disconnect air pressure line.
2. Carefully, and very slowly, remove vacuum lid only. (Be sure you have not accidentally lifted the cloth filter bag at the same time.) Set lid assembly aside
3. Remove cloth filter bag with bag frame. Check for residue on bag. If required, vacuum clean only. Do not shake bag in open atmosphere.
4. Carefully undo the elastic band on the filter protector bag, fold in, and place this filter into proper disposal container.
5. Reach into tank and gently push the collar of filter bag off the tube, seal bag opening with 2" wide duct tape, and carefully remove collector bag into proper disposal container.

6. Using a wiping cloth dampened with water (not soaking wet), wipe down all of the exposed surfaces inside the tank; put all wiping material into disposal container.
7. Check pink impaction filter in U.L.P.A. filter. If impact filter shows discoloration due to dust penetration, remove and place in disposal container.
8. Visually check U.L.P.A. filter. If filter shows signs of dust penetration, revise cleaning and filter change procedure to be done more frequently. Be absolutely sure all filters and prefilters are always used and installed properly.
9. **CAUTION:** Hazardous material must be disposed of properly. Never throw contaminated debris into your usual trash receptacle. Check with your Safety Department or Industrial Hygienist for final disposal requirements.
10. Follow assembly procedure.

OVERVIEW

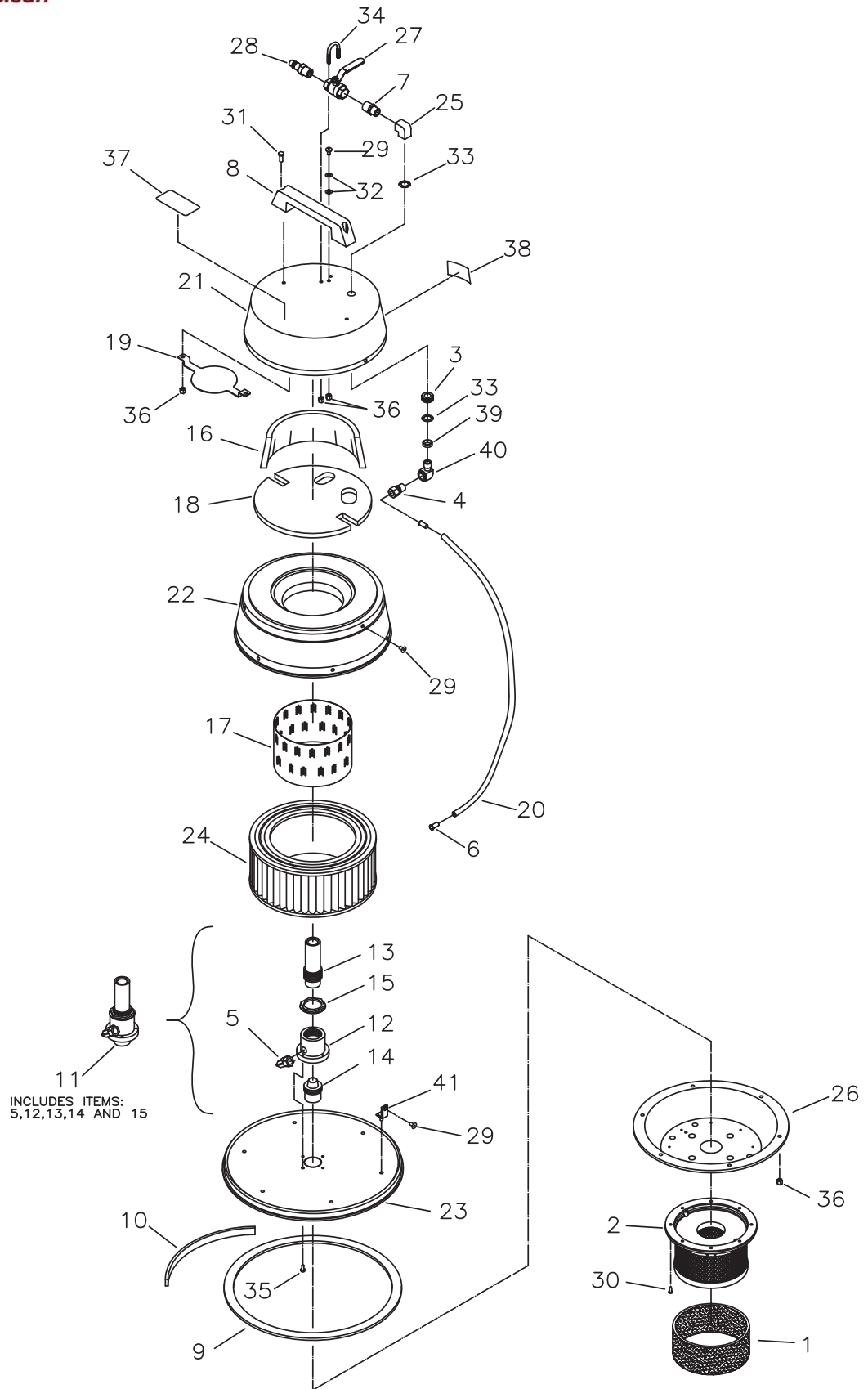


15 GALLON



55 GALLON

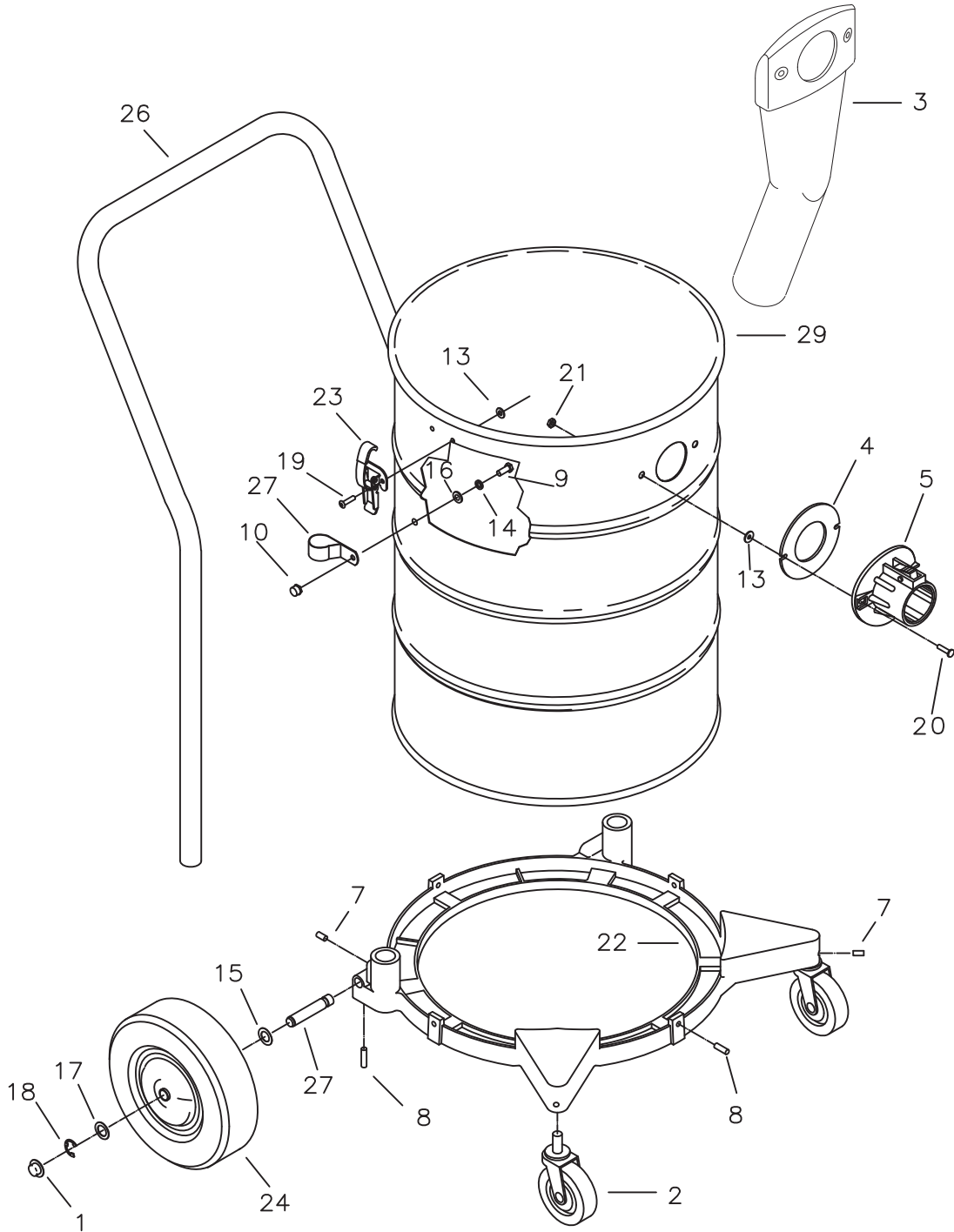
LID ASSEMBLY



LID ASSEMBLY BOM

BILL OF MATERIAL - 707615			
ITEM	PART NO.	QTY	DESCRIPTION
1	110030PKG	1	PREFILTER SLEEVE, 829/839, PKG OF 6
2	110029	1	FILTER-ULPA, X829 SERIES
3	260274	1	GROMMET Z-421
4	420008	1	FTG-COMPRESSION 1/2 OD X 3/8 MPT
5	420009	1	FITTING-ELBOW MALE 469F
6	420011	2	FTG-COMPRESSION 1/2 HOSE INSERT
7	420017	1	FITTING-NIPPLE HEX REDUCER 112RFE
8	460000	1	HANDLE 460 LID BLACK
9	480052	1	GASKET,RBR .25X.87X.50
10	480053	1	RING, RUBBER LOCATING
11	700010	1	SINGLE VENTURI ASSY
12	700011	1	VENTURI HOUSING
13	700012	1	VENTURI EXHAUST TUBE
14	700013	1	VENTURI INTAKE
15	700014	1	VENTURI LOCNUT
16	700016	1	FELT LINER
17	700017	1	PERFORATED SHEILD
18	700018	1	DOME FELT
19	700019	1	AIR DEFLECTOR 18GA
20	700021	1	POLYHOSE 32" LONG
21	700022PTD	1	COVER 701 PTD
22	700023PTD	1	OUTTER HOUSING PAINTED
23	700024	1	BOTTOM PAN ASY
24	700026	1	FILTER-EXHAUST
25	700028	1	FTG-ELBOW 90 ST 3/8 FPT X 3/8 FPT BRASS
26	700039	1	HEPA MOUNTING ADAPTOR
27	700044	1	AIR VALVE ASSEMBLY
28	701010	1	COUPLER-MALE .50
29	710178	10	SCR-THMS 1/4-20 X .50 ZP
30	711106	8	SCR-PHSMS 10 X .75 ZP A POINT
31	713002	2	SCR-HH 1/4-20 X .75 ZP 5
32	711505	2	WASHER-FLAT 1/4 ZP
33	711513	2	WASHER-FLAT .689 X 1.06 X .029 SS
34	712105	1	NLA---BLT-U 1/4-20
35	712536	4	SCR-THMS 10-24 X .62 SS
36	712667	15	NUT-NYLOC 1/4-20 SS
37	715003	1	DECAL-AIR PRES 2.00 X 4.00
38	715029	1	DECAL-NAME PLATE MODEL ID
39	829285PLT	1	SPACER-.25 X .875 X .687 PLATED
40	830062	1	FTG-ELBOW 90 3/8 MPT X 3/8 FPT BRASS
41	832106	6	BRKT-MOUNTING TAB

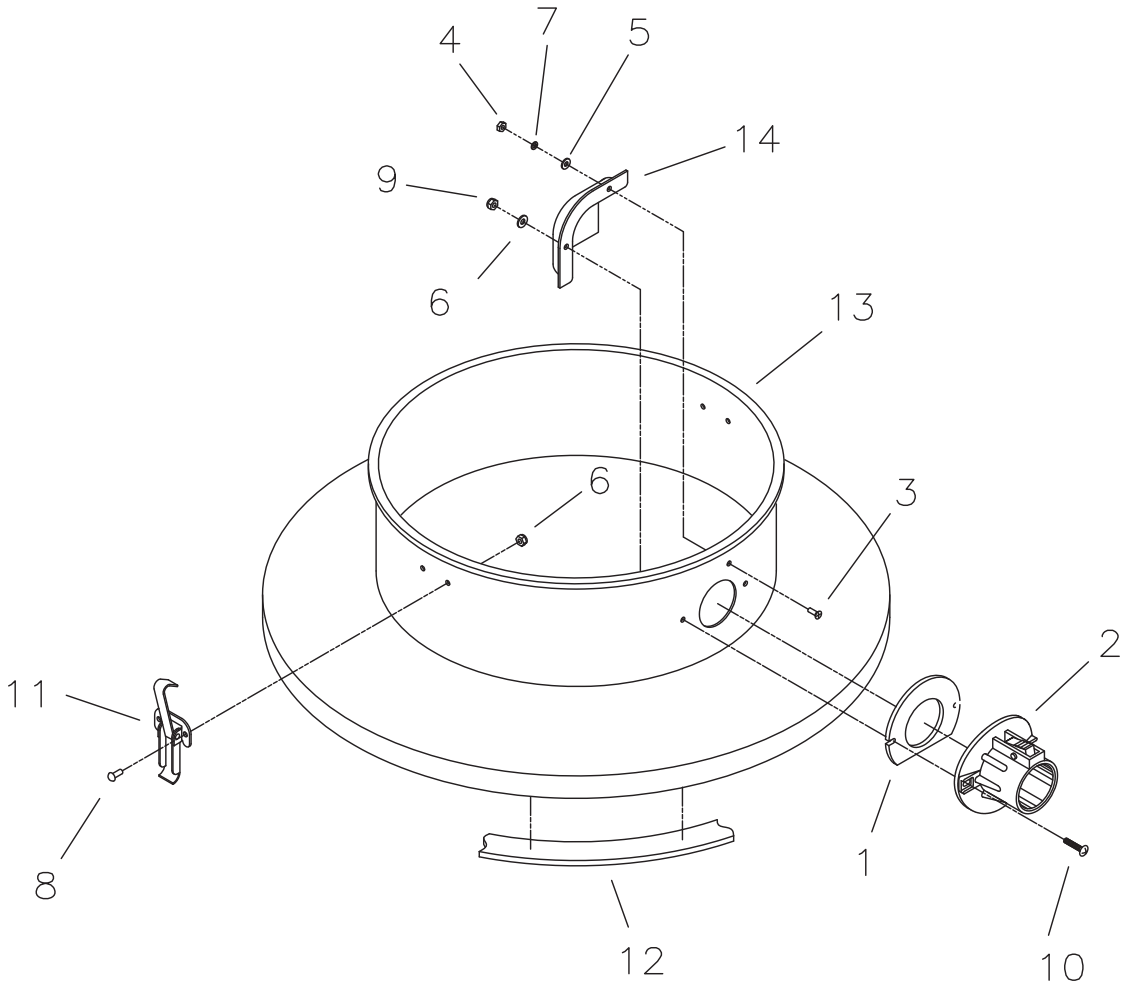
15 GALLON TANK ASSEMBLY



15 GALLON TANK ASSEMBLY BOM

BILL OF MATERIAL - 750221-01			
ITEM	PART NO.	QTY	DESCRIPTION
1	130032	2	CAP, RETAINER
2	280016	2	CASTER-3" W/ 3/8 X 5/8 STEM
3	390016	1	MOLDED DOWN TUBE
4	390087	1	GASKET DIECUT VNN
5	390110	1	INTAKE ASSEMBLY ALUMINUM
7	711005	4	SCR-SET 1/4-20 X .31 BLK OX CP
8	711006	6	SCR-SET 1/4-20 X .62 BLK OX CP
9	711202	2	SCR-HH 1/4-20 X .50 ZP
10	711352	2	NUT-ACORN 1/4-20 NICKEL
13	711503	6	WASHER-FLAT #10 X .50 ZP
14	711505	2	WASHER-FLAT 1/4 ZP
15	711524	2	WASHER-WAVE .52 X .87 X .01
16	711591	2	WASHER-RUBBER .25 x .62 x .06
17	711594	2	WASHER-FLAT .56 X .88 X .03 NICKEL
18	711713	2	RET RING-E EXT .50
19	711915	4	RIVET-TUBE 3/16X.28
20	712532	2	SCR-PHMS 10-24 X 1.00 SS
21	712638	2	NUT-NYLOC 10-24 SS
22	760984PTD	1	BRKT-WHEEL
23	761054	2	LATCH
24	900008	2	WHEEL-8.00 DIA.
26	900037PLT	1	HANDLE,PLATED COMMON
27	800247	2	HANDLE CLIP SS
28	900066	2	AXLE
29	900003POL	1	TK 15GSS POLISHED

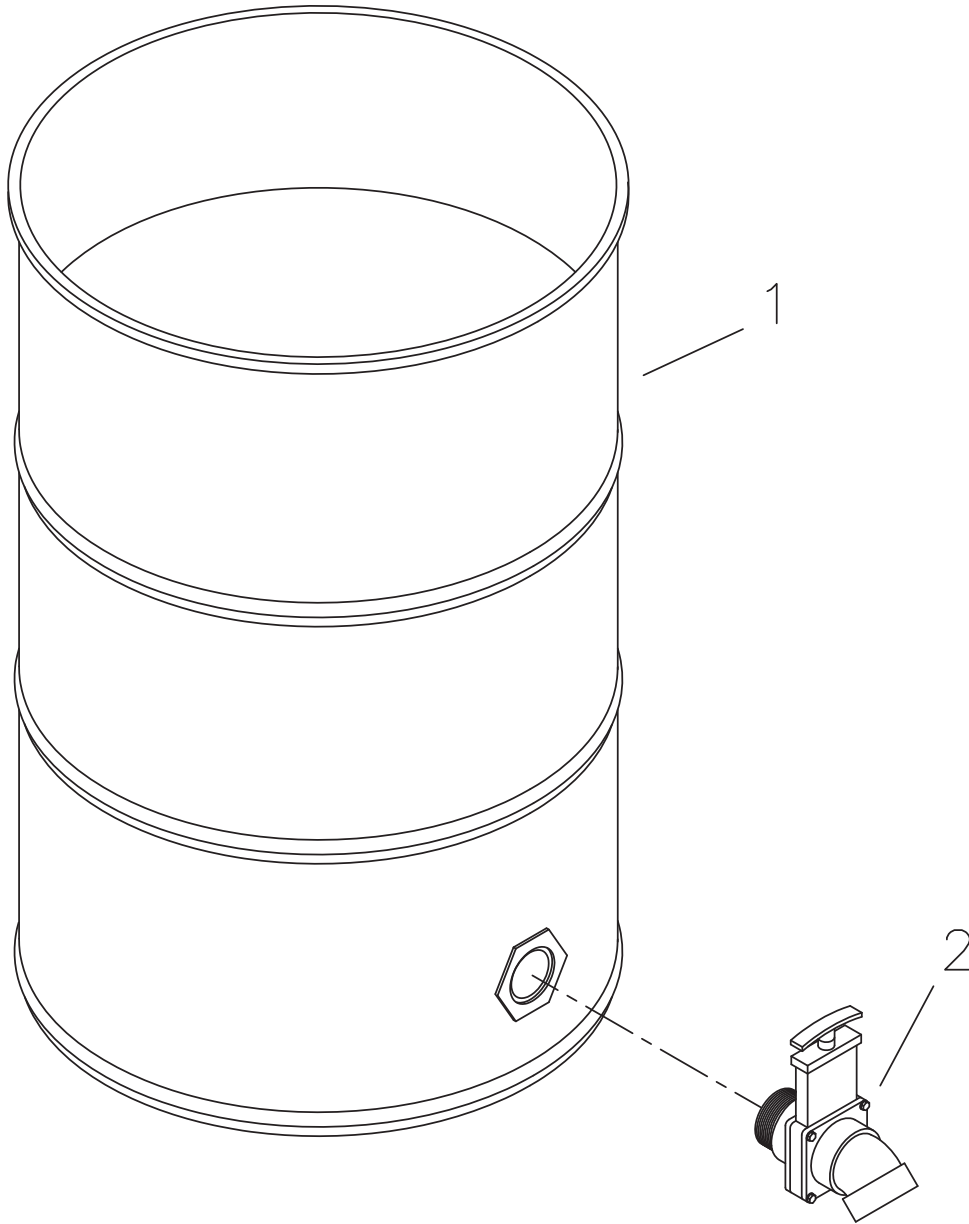
55 GALLON TANK ADAPTER ASSEMBLY



55 GALLON TANK ADAPTER ASSEMBLY

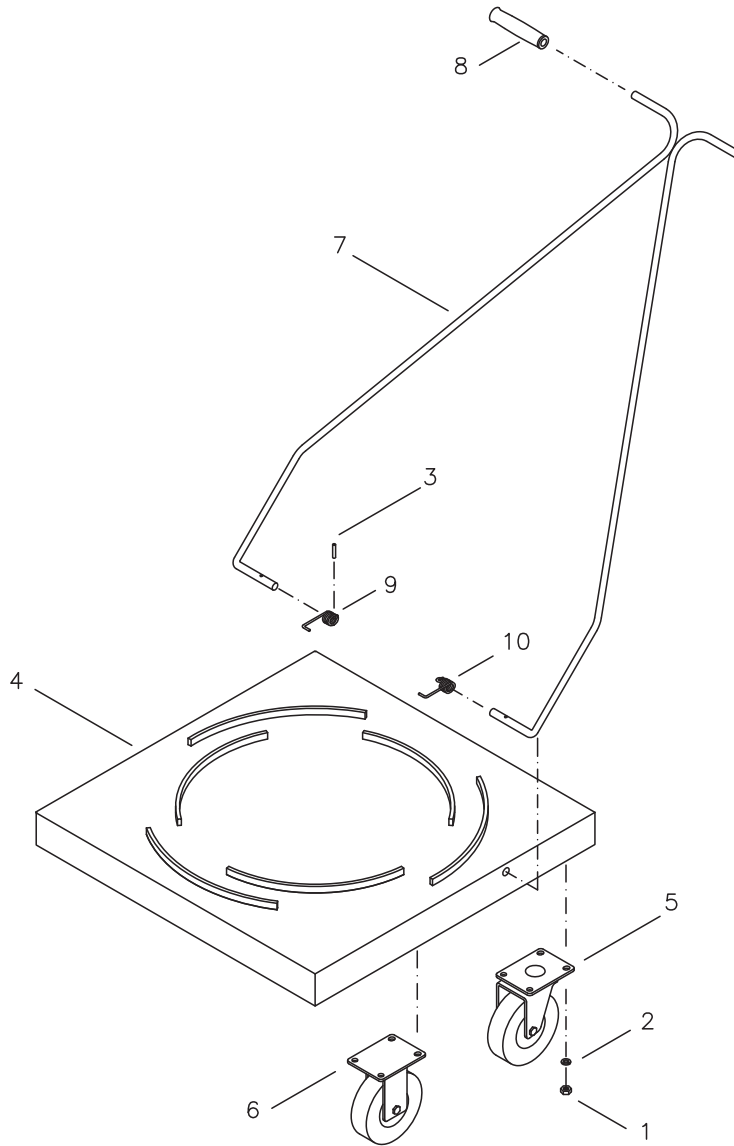
BILL OF MATERIAL - C80601-80			
ITEM	PART NO.	QTY	DESCRIPTION
1	390087	1	GASKET DIECUT VNN
2	390110	1	INTAKE ASSEMBLY ALUMINUM
3	710530	1	SCR-FHMS 8-32 X .50 BRASS
4	711372	1	NUT-NYLOC 8-32 ZP
5	711502	1	WASHER-FLAT #8 ZP
6	711503	6	WASHER-FLAT #10 X .50 ZP
7	711542	1	WASHER-LOCK #8 SPLIT ZP
8	711915	4	RIVET-TUBE 3/16X.28
9	712638	2	NUT-NYLOC 10-24 SS
10	712824	2	SCR-THMS 10-24 X .75 ZP
11	761054	2	LATCH
12	806006	1	GASKET, .25 X 1.25 X 74
13	806016PTD	1	55 GAL ADAPTER MACHINED AND PAINTED
14	900035	1	DEFLECTOR, INTAKE

55 GALLON TANK



BILL OF MATERIAL			
ITEM	PART NO.	QTY	DESCRIPTION
1	900015PTD	1	TANK 55 GALLON W/L DUMP VALVE
2	900047	1	DUMP VALVE
***	805046PKG		DRUM LINER 55 GALLON (PKG 12)

55 GALLON DOLLY



BILL OF MATERIAL - 900048			
ITEM	PART NO.	QTY	DESCRIPTION
1	711379	16	NUT-FLANGED WIZZ 5/16-18 ZP
2	711545	16	WASHER-LOCK 5/16 SPLIT ZP
3	711642	2	PIN-ROLL 3/16 X 1.00
4	750045	1	WELD-DOLLY 30/55
5	761049	2	CASTR-SWIVEL GRSE SEAL
6	761050	2	CASTER-RIGID 5 "
7	900051	1	WELD-HANDLE
8	900052	2	GRIP-HANDLE
9	900080	1	SPRING-TORSION RH ZINC
10	900081	1	SPRING-TORSION LH ZINC

Notes



Minuteman International Made Simple Commercial Limited Warranty

REVISION P EFFECTIVE 5/1/2017

Minuteman International, Inc. warrants to the original purchaser/user that the product is free from defects in workmanship and materials under normal use. Minuteman will, at its option, repair or replace without charge, parts that fail under normal use and service when operated and maintained in accordance with the applicable operation and instruction manuals. All warranty claims must be submitted through and approved by factory authorized repair stations.

This warranty does not apply to normal wear, or to items whose life is dependent on their use and care, such as belts, cords, switches, hoses, rubber parts, brushes, electrical motor components or adjustments. Parts manufactured by Minuteman are covered by and subject to the warranties and/or guarantees of their manufacturers. Please contact Minuteman for procedures in warranty claims against these manufacturers.

Special warning to purchaser -- Use of replacement filters and/or pre-filters not manufactured by Minuteman or its designated licensees, will void all warranties expressed or implied. A potential health hazard exists without original equipment replacement.

All warranted items become the sole property of Minuteman or its original manufacturer, whichever the case may be.

Minuteman disclaims any implied warranty, including the warranty of merchantability and the warranty of fitness for a particular purpose. Minuteman assumes no responsibility for any special, incidental or consequential damages.

This limited warranty is applicable only in the U.S.A. and Canada, and is extended only to the original user/purchaser of this product. Customers outside the U.S.A. and Canada should contact their local distributor for export warranty policies. Minuteman is not responsible for costs or repairs performed by persons other than those specifically authorized by Minuteman. This warranty does not apply to damage from transportation, alterations by unauthorized persons, misuse or abuse of the equipment, use of non-compatible chemicals, or damage to property, or loss of income due to malfunctions of the product.

If a difficulty develops with this machine, you should contact the dealer from whom it was purchased.

This warranty gives you specific legal rights, and you may have other rights which vary from state to state. Some states do not allow the exclusion or limitation of special, incidental or consequential damages, or limitations on how long an implied warranty lasts, so the above exclusions and limitations may not apply to you.

Model	Parts	Labor	Poly	Travel**
Cord Electric Group	5yrs	3yrs	12yrs	90 days
Battery Auto Scrubbers (incl. on board charger)	5yrs	3yrs	12yrs	90 days
Battery and Manual Sweepers	3yrs	3yrs	12yrs	90 days


Exceptions.....

Model	Parts	Labor	Poly	Travel**
Port A Scrub, all models (incl. on board charger)	1yr	6months	12yrs	90 days
A3S Blower	1yr	1yr	0	0
Phenom Dual Motor Upright Vacuums	2yrs	2yrs	0	0
Explosion Proof Vacuum	1yr	1yr	0	0
Propane Burnisher	1yr	1yr	0	90 days
E14BQP and E14115 scrubber	1yr	1yr	12yrs	90 days
**Travel, 2 hours max				

<i>Stand-alone Battery Chargers:</i>	One year
<i>Replacement Parts:</i>	Ninety days
<i>Batteries:</i>	0-3 months full replacement, 4-12 months pro-rate
<i>Polypropylene Plastic Tanks:</i>	12yr warranty, no additional labor

“Excellence Meets Clean”

**Minuteman is a Full Line Manufacturer of Sweepers and Scrubbers,
for Industrial Facilities.**



14N845 U.S. Route 20, Pingree Grove, IL 60140 USA
Phone (800) 323-9420 - www.minutemanintl.com
A Member of the Hako Group